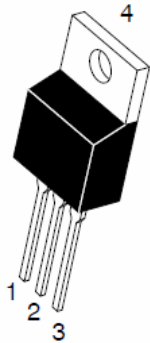
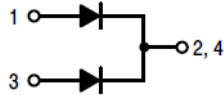


7 UHQFK 026 %DUULHU 6FKRWWN\ 5H

TO-220AB
TSR20L OCT



ITO-220AB
TSR20L OCTF



Features

- ‡ \$GYDQWUHQFK WHFKQRORJ\
- ‡ /RZRZDURGDWJH GURS
- ‡ /RZRZDURVVHV
- ‡ +LJKILFLHQF\ RSHUDWLRO
- ‡ /HDGH)HLQLVK &R#6OLDQW

Applications

- ‡ '&' & RQYHUWHUV
- ‡ \$&' \$GDSWRUV
- ‡ 6ZLWFKRZDUXSSOLHV
- ‡)UHHZKH'HLRQJ

Maximum ratings and electrical characteristics (T_J = 25°C unless otherwise noted)

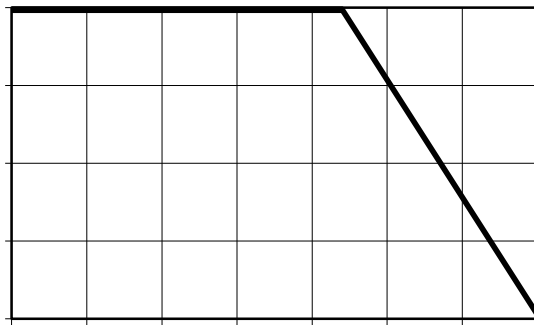
3DUDPHWHU		6\PERO	/LPLW	8QLW	
0D[LPXPHSHVSHUNYHYURQHW DJH		9550		9	
0D[LPXPHYHURJHZDUG UFXEWHIHWG	GHYLFH SHGLRGH	,) \$9		\$	
3HDN IRVZDURBUHQW VLQDQH ZDYH VXSHULPSRVHGRFSGUDRVGHG		,)60		\$	
2SHUDMXQDQGRQWRUDJH WHPSHUDW	XUHURDJH	WR		f&	
7\SLFVCHUPDO USHVULVQHDQFH	72 \$%	5\$-&		f& :	
	,72 \$%			f& :	
,QVWDQWDQHRXUWRUJHZDUG SHGLRGH		9)	7<3	0\$;	
	,) 3\$		7-	f&	9
	,) 3\$		7-	f&	
	,) \$		7-	f&	
,QVWDQWDQHRXUWRUJHZDUG UDWHYHYURQHW DJH		,5		X\$	
			7-	f&	P\$

1RWHV

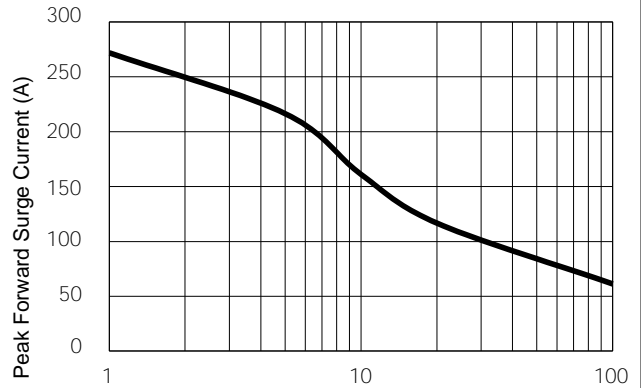
3XOVH WHVWSXOVH ZLGWK GXW\FFOH

3XOVH WHVW 3XOVH ZLGWK 0 PV

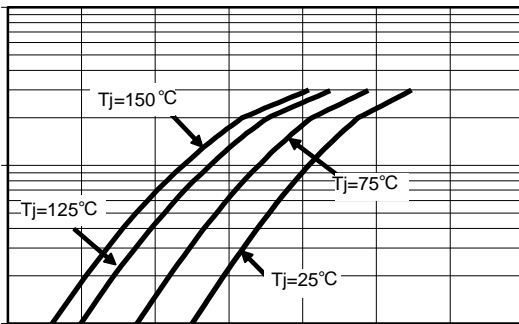
RATINGS AND CHARACTERISTICS CURVES (T_A = 25 °C unless otherwise specified)



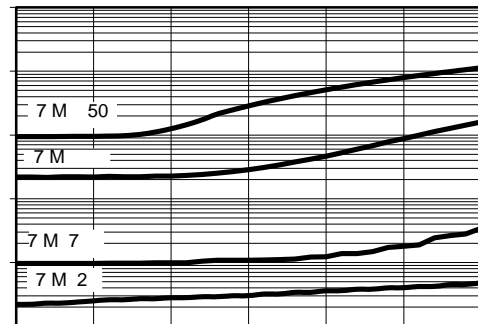
Current Derating, Case



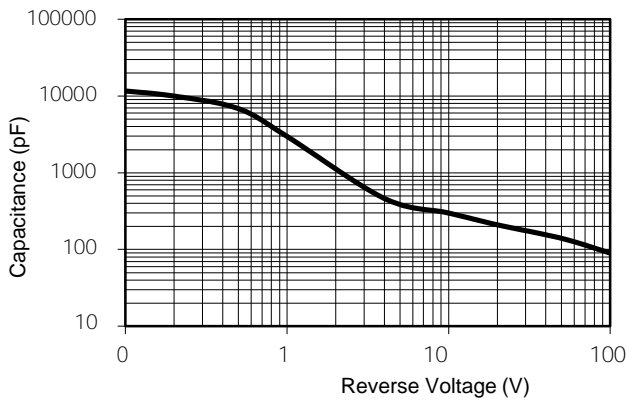
Maximum Repetitive Surge Current



Typical Forward Voltage

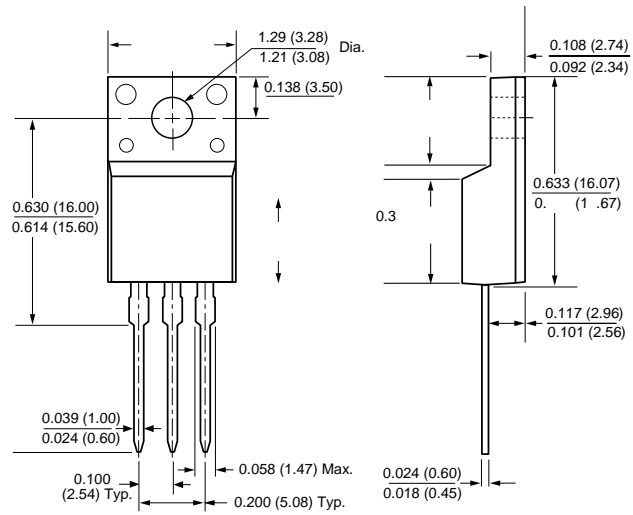


Typical Reverse Current



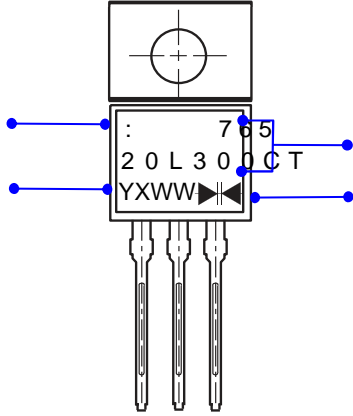
Typical Junction Capacitance

PACKAGE OUTLINE DIMENSIONS



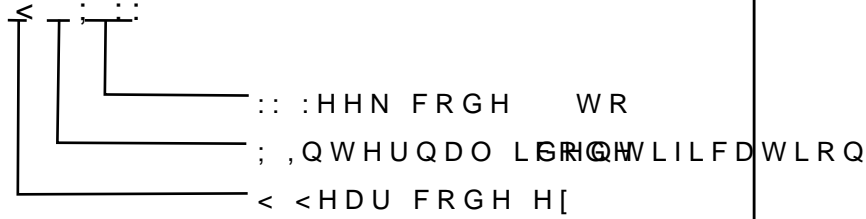
TSR2 /30 CT

TSR2 /30 CTF



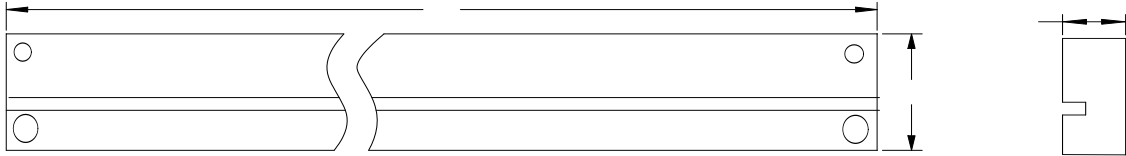
W : Company's trademark

3URGXFW TBRZGHLG 00CT or TSR20L300
3' & LQIRUPDWLRQ



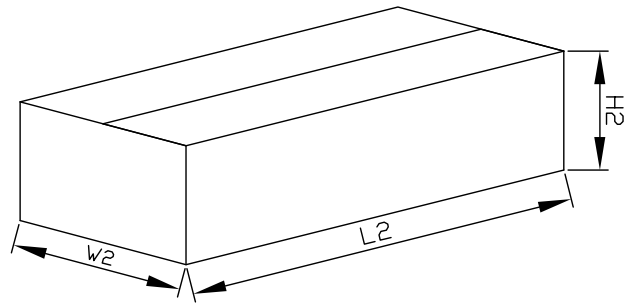
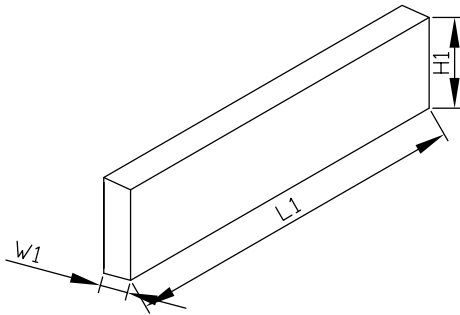
Double wafer

7XEH 'LPHQVLRQV



,QVLGH %R[

2XWVLGH %R[



12	81,	7XEH 'LPHQVLRQV			,QVLGH %R[2XWVLGH %R[
6L]H	PP	\$	%	&	/	:	+	/	:	+
47<	3&6	5	7	33	570	46	150	59	26	18
1RWH		3&6 7XEH			6PDO SHVWDJH3&6 2 WXEDWRWDO			3&6 FDUERGLWRWDO		
		7ROHUDQFH PP" PP			PP" PP			PP" PP		