

7 UHQFK 026 %DUULHU 6FKRWWN\ 5H

TO-220AB
TSR / &7



ITO-220AB
TSR / &7F



Features

- ‡ \$GYDQWUHQFK WHFKQRORJ\
- ‡ /RZRZDWRGWDJH GURS
- ‡ /RZRZDWRVHV
- ‡ +LJKILFLHQF\ RSHUDWLRO
- ‡ /HDGH)HLQLVK &R#6OLDQW

Applications

- ‡ '&' &RQYHUWHUV
- ‡ \$&'&GDSWRUV
- ‡ 6ZLWFKRZDSSOLHV
- ‡)UHHZKH'HLRQJ

Maximum ratings and electrical characteristics (T_J = 25°C unless otherwise noted)

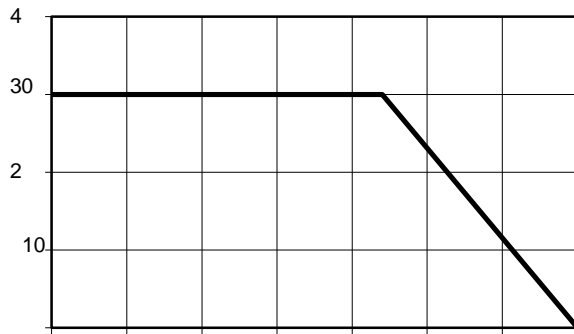
3DUDPHWHU		6\PERO	/LPLW	8QLW	
0D[LXPXPHSHVSHUNYHYURQHW DJH		9550		9	
0D[LXPYHURDJH ZDUG UFKUWHIHWG		,) \$9			
GHYLFH SHGLRGH					
3HDN IRVZDWRUHQW VLQDQH ZDYH		,) 60			
VXSHULPSRVHGRFSGUDRCHG					
2SHUDMXQDQLRQWRUDJH WHPSHUDW		XUH 0DQJH	WR	f &	
7\SLFVCHUPDO USHVULVQHDQFH		72 \$%			
		, 72 \$%			5 \$- &
, QVWDQWDQHRXUWRUJZDUG SHGLRGH		9)	7 < 3	0 \$;	
	,) \$		7- f &	1	76
	,) \$		7- f &		
	,) \$		7- f &	5	1.05
	,) \$		7- f &	8	
, QVWDQWDQHRXUWRUJZDUG UDWHYHYURQHW DJH		, 5			
					7- f &
				P \$	

1RWHV

3XOVH WHVWSXOVH ZLGWK GXW\ F\FOH

3XOVH WHVW 3XOVH ZLGWK 0 PV

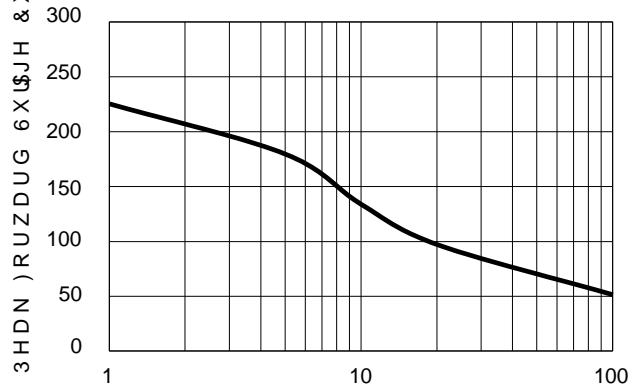
RATINGS AND CHARACTERISTICS CURVES



7 F & DVH 7 & HPS

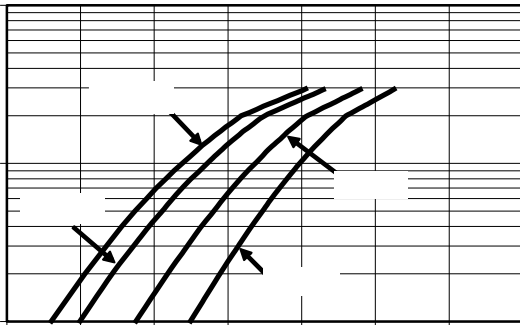
Current Derating, Case

3 HDN) RUZDUG 6 X U \$ J H & X U J H Q W
f & X Q O H V Q R W K B U Z L V H



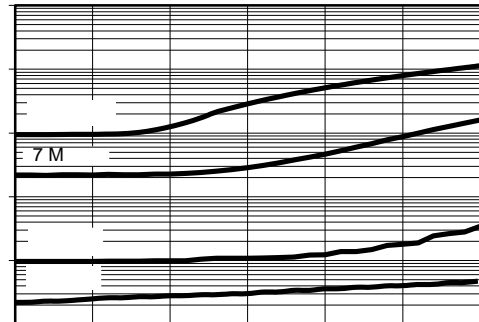
1 X P E R I U \ F O D I W +]

Maximum Repetitive Surge Current



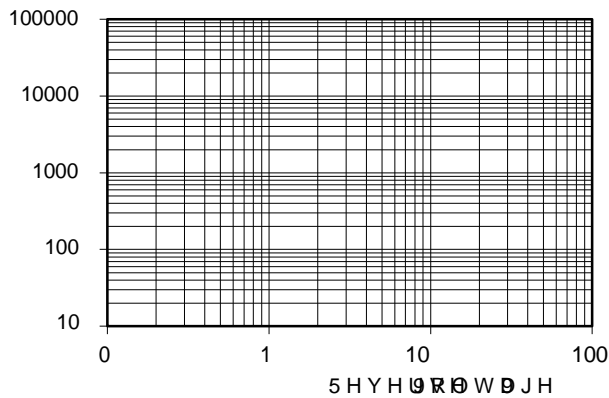
9 I , Q V W D Q W D Q H S R X O W) D R J H Z D R U G

Typical Forward Voltage



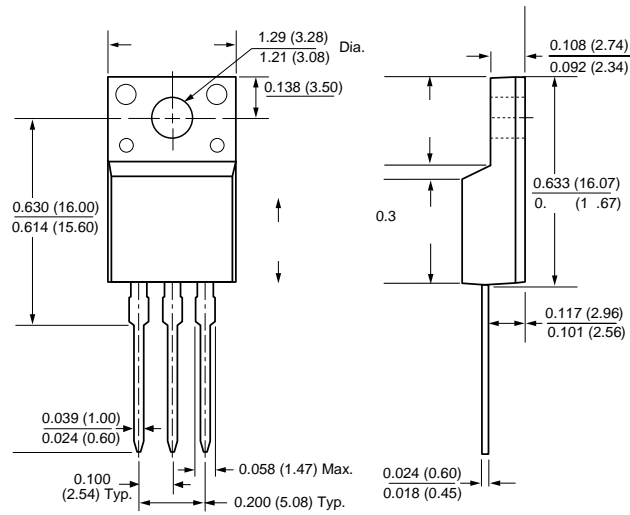
9 5 5 H Y H U V H 9 R O W D J H 9 R O W V

Typical Reverse Current

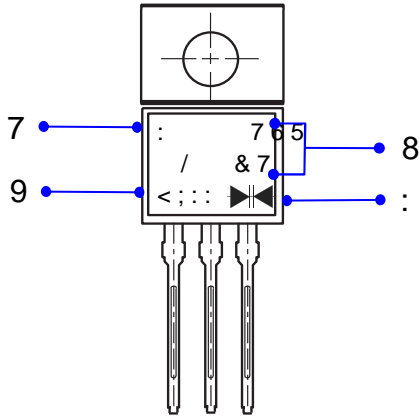


Typical Junction Capacitance

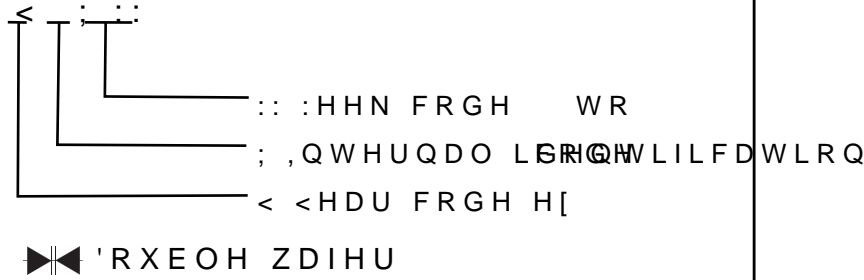
PACKAGE OUTLINE DIMENSIONS



0DUNLQJ ,QIRUPDWLRQ

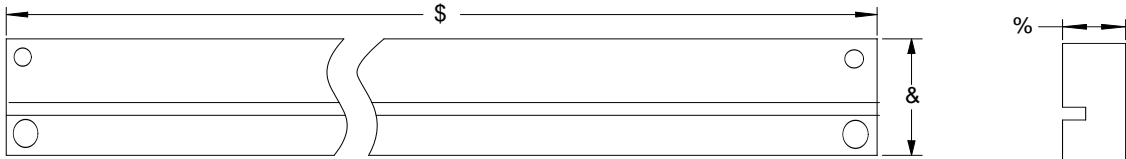


7 : &RPSDQ\ V WUDGHPDUN
8 3URGXFW 765 / &7))
9 3' & LQIRUPDWLRQ



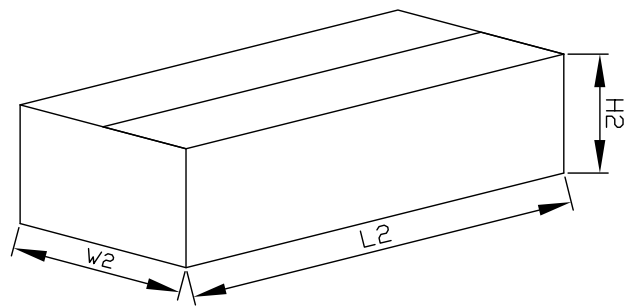
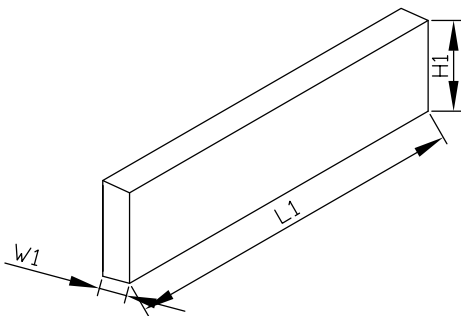
3DFNDJLQJ ,QIRUPDWLRQ

7XEH 'LPHQVLRQV



,QVLGH %R[

2XWVLGH %R[



3DFNDJLQJ ,QIRUPDWLRQ

12	81,	7XEH 'LPHQVLRQV			,QVLGH %R[2XWVLGH %R[
		\$	%	&	/	:	+	/	:	+
6L]H	PP									
47<	3&6	3&6 7XEH			6PDO SHVWDJH3&6 WXEORWDO			3&6 FDUERGLWRWDO		
1RWH		7ROHUDQFH PP" PP			PP" PP			PP" PP		