

7 UHQFK 026 %DUULHU 6FKRWWN\ 5H

TO-220AB  
TSR / CT 6



1 2 3 4

ITO-220AB  
TSR / CTF 6




Features

- ‡ \$GYDQWUHQFK WHFKQRORJ\
- ‡ /RZRZURGRWDJH GURS
- ‡ /RZRZURVHV
- ‡ +LJKILFLHQF\ RSHUDWLRO
- ‡ /HDGH)HLQLVK &RPSOLDQW

Applications

- ‡ '&' &RQYHUWHUV
- ‡ \$&'&GDSWRUV
- ‡ 6ZLWFKRZHXSSOLHV
- ‡ )UHHZKH)HLGRJ

3,1   4-2  
4-2

Maximum ratings and electrical characteristics (T<sub>J</sub> = 25°C unless otherwise noted)

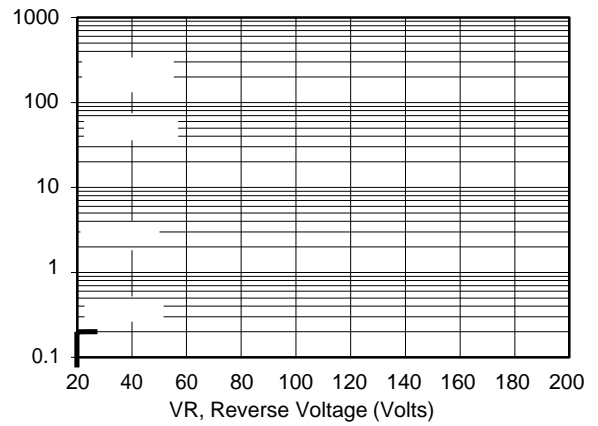
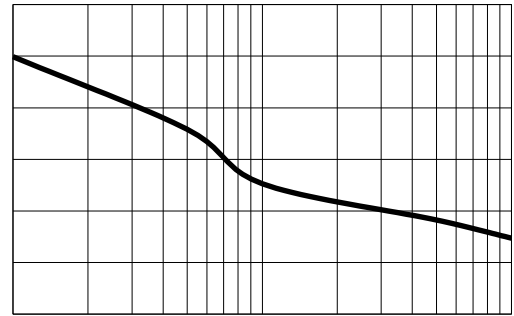
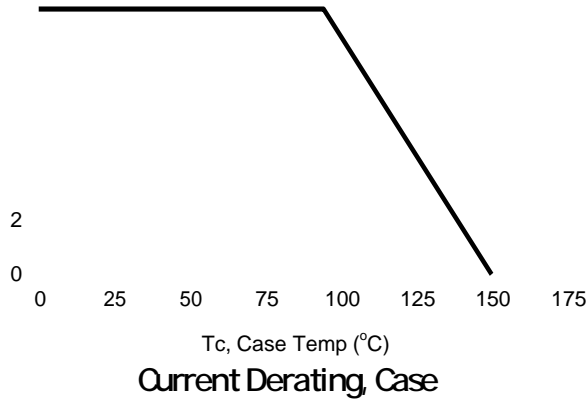
3DUDPHWHU		6\PERO	/LPLW	8QLW
0D[LXPXPHSHVSHUNYHYURQHW DJH		9550		9
0D[LXPYHURJHZDUG UFKUWHQWGHYLFH ,) \$9				\$
3HDN IRVZDUEBUHQW VLKDOHQH ZDYH VXSHULPSRVHGRSGLRCHG		,)60	5	\$
2SHUDMXQDQGRQWRUDJH WHPSHUDW XUHURDJH WR				f&
7\SLFKHUPDO USHVULVQHDQFH		72 \$%	5\$-&	f& :
		,72 \$%		f& :
,QVWDQWDQHRXURWRUJZDUG SHGLRGH		9)	7<3	0\$;
				9
,QVWDQWDQHRXUUSHQWRUJZDUG UDWHYHYURQHW DJH		,5		X\$
				P\$

1RWHV  
3XOVH WHVVSXOVH ZLGWK GXW\F\FOH  
3XOVH WHVW 3XOPH ZLGWK 0

RATINGS AND CHARACTERISTICS CURVES

75

f & X Q O H V Q R W K B U Z L V H

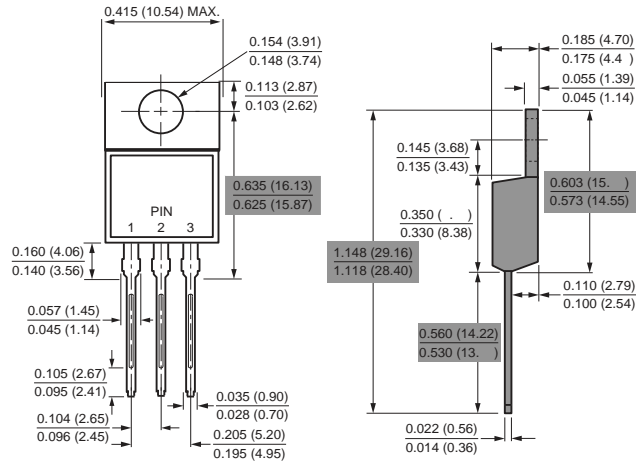


Typical Junction Capacitance

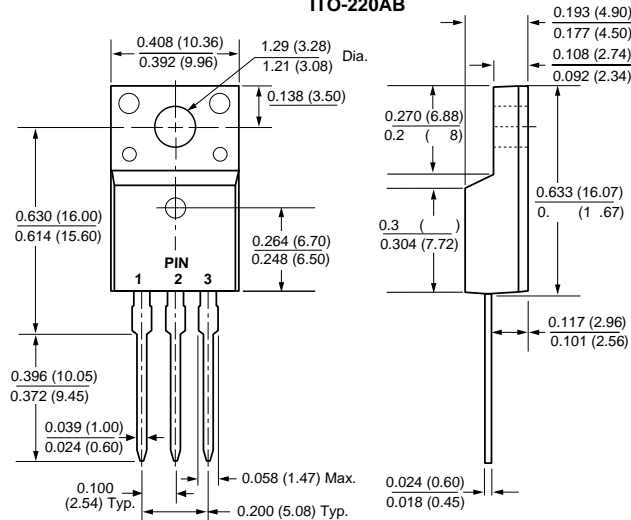
PACKAGE OUTLINE DIMENSIONS

1 R W H X Q L W , Q P P

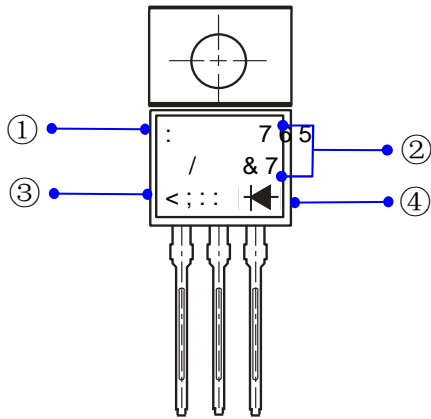
TO-220AB



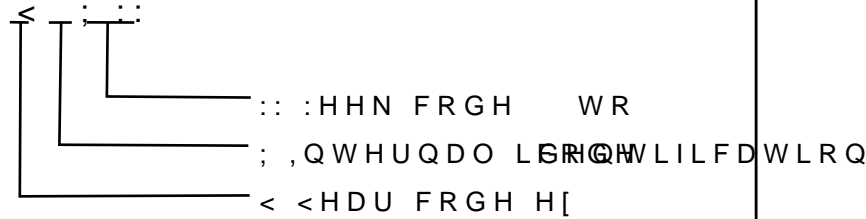
ITO-220AB



### Marking Information



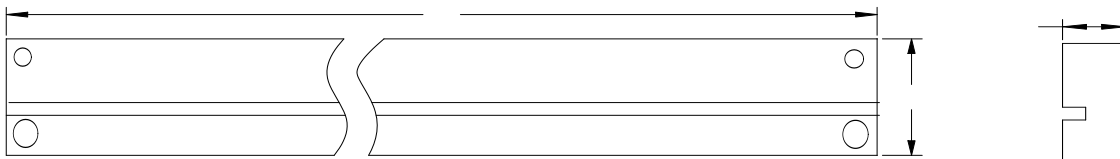
- ①
- ② 3URGXFW 765GHO&7RU 765 / &7)
- ③ 3'& LQIRUPDWLRQ



- ④ ← 6LQJZDIHU

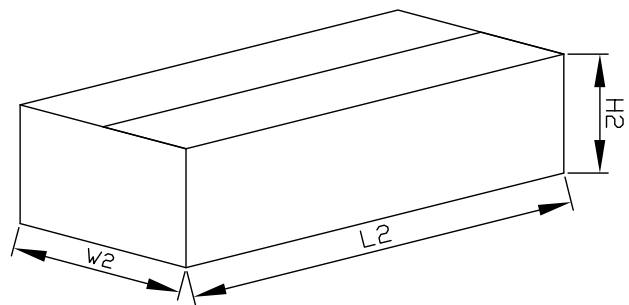
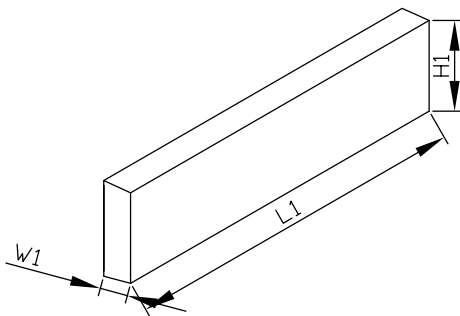
### Packaging Information

7XEH 'LPHQVLRQV



,QVLGH %R[

2XWVLGH %R[



### Packaging Information

12	81,	7XEH 'LPHQVLRQV			,QVLGH %R[			2XWVLGH %R[		
6L]H	PP	\$	%	&	/	:	+	/	:	+
47<	3&6	3&6 7XEH			6PDO&7RU 765GHO&7RU 765 WXE&7RU 765GHO&7RU 765			3&6 FDU&7RU 765GHO&7RU 765		
1RW	H	7ROHUDQF&7RU 765GHO&7RU 765			PP" PP			PP" PP		