

Ratings at 25 °C ambient temperature unless otherwise specified.

Single phase half-wave 60 Hz, resistive or inductive load, for capacitive load current derate by 20 %.

	Symbols	KGBU1510	
Maximum Repetitive Peak Reverse Voltage	VRRM	100	V
Maximum RMS voltage	VRMS	70	V
Maximum DC Blocking Voltage	VDC	100	V
Average Rectified Output Current	I _o	15.0	A
Peak Forward Surge Current 8.3 ms Single Half Sine Wave Superimposed on Rated Load (JEDEC Method)	IFSM	2 0	A
rating for fusing (1ms< t < 8.3ms)	I ² t		A ² S
Maximum Forward Voltage at 7.5 A	V _F	1.1	V
Maximum DC Reverse Current @TA=25 °C at Rated DC Blocking Voltage @TA=125 °C	I _R	5 500	μA
Typical Junction Capacitance Note1	C _j	70	pF
Operating and Storage Temperature Range	T _j , T _{stg}	-55 ~ +175	°C
Typical thermal resistance (Note 2)	R _{thJA} R _{thJL}	9.0 1.5	°C/W

Note: 1. Measured at 1MHz and applied reverse voltage of 4 VDC.

2. Thermal resistance junction to case, lead and ambient in accordance with JESD-51.

Unit mounted on glass-epoxy

I_{qcti}

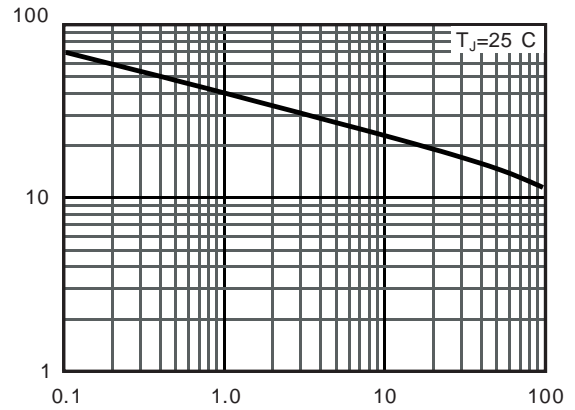
M

RATINGS AND CHARACTERISTICS CURVES (TA = 25 °C unless otherwise noted)

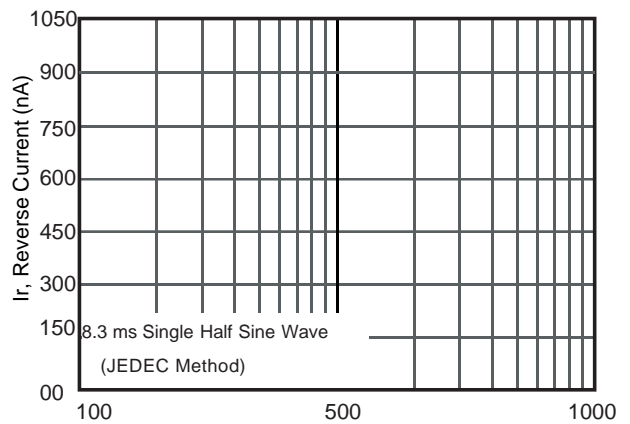
If, Average Forward Current (A)

Tc, Case Temp (°C)

Current Derating, Case

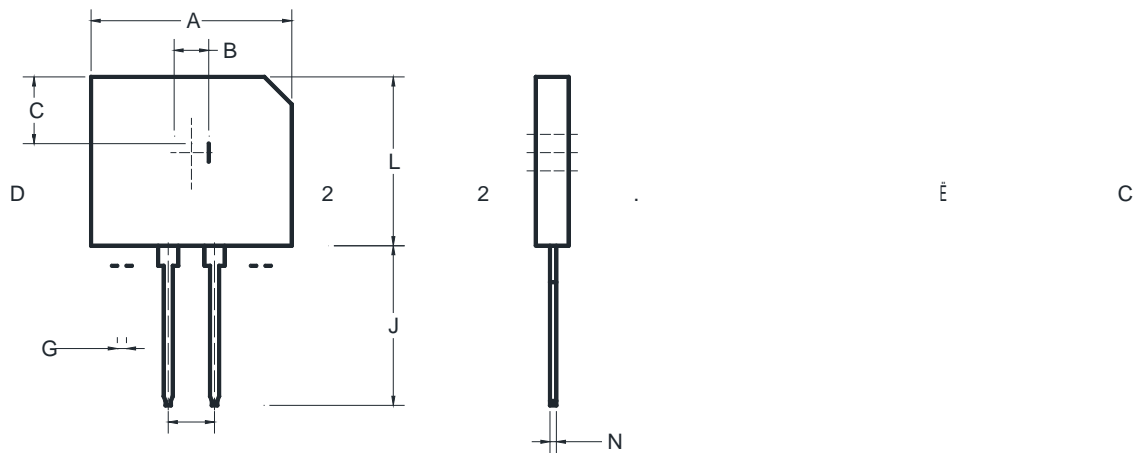


Typical Junction Capacitance



VR, Reverse Voltage (Volts)

Typical Reverse Current



Dimensions in millimeters